

OPERATOR'S MANUAL

FPD 50 WATT POWER SUPPLIES

Flat Pack Single Output DC to DC Converter
50 Watts Output
48 Vdc Nominal Input

KEPCO INC.
An ISO 9001 Company.

MODEL FPD 50W-48V POWER SUPPLY

ORDER NO.

REV. NO.

IMPORTANT NOTES:

- 1) This manual is valid for the following Model and associated serial numbers:

MODEL	SERIAL NO.	REV. NO.
-------	------------	----------

- 2) A Change Page may be included at the end of the manual. All applicable changes and revision number changes are documented with reference to the equipment serial numbers. Before using this Operator's Manual, check your equipment serial number to identify your model. If in doubt, contact your nearest Kepco Representative, or the Kepco Documentation Office in New York, (718) 461-7000, requesting the correct revision for your particular model and serial number.
- 3) The contents of this manual are protected by copyright. Reproduction of any part can be made only with the specific written permission of Kepco, Inc.

Data subject to change without notice.

©2000, KEPCO, INC
P/N 243-0781



KEPCO, INC. • 131-38 SANFORD AVENUE • FLUSHING, NY. 11352 U.S.A. • TEL (718) 461-7000 • FAX (718) 767-1102
email: hq@kepcopower.com • World Wide Web: <http://www.kepcopower.com>

**FLAT PACK
Single Output
DC to DC Converters**

I INTRODUCTION:

SCOPE OF MANUAL: This instruction brief contains information for the installation and operation of the Kepco FPD 50 Watt DC to DC Converter Series of switching power supplies. For further operating and service information for the FPD 50 Watt DC to DC Converter Series contact your Kepco Representative directly, or write to Kepco, Inc., 131-38 Sanford Avenue, Flushing, New York 11352 U.S.A.

DESCRIPTION: The Kepco FPD 50 Watt DC to DC Converter Series consists of four switching power supplies, having a nominal 48 Vdc input and different DC output voltages, rated as listed in Section II. FPD 50 Watt Converter switching power supplies have similar electrical specifications, except for the output ratings. They are low-dissipative stabilizers, using pulse-width modulation to control the output. The units feature input/output isolation and remote ON/OFF. Remote ON/OFF is accomplished by an isolated TTL level signal that may use either mechanical or solid state closure for turn-off. All models are guaranteed for one year when operated within the specifications given herein.

II MODELS:

The following specifications apply to the power supply models listed below:

MODEL	INPUT	OUTPUT
FPD 5-10-48	48 Vdc	5 Vdc 10A
FPD 12-4.2-48	48 Vdc	12 Vdc 4.2A
FPD 15-3.4-48	48 Vdc	15 Vdc 3.4A
FPD 24-2.1-48	48 Vdc	24 Vdc 2.1A

NOTE: Normal conditions are nominal input, nominal output, and 25 degrees C.

III SPECIFICATIONS:

Nominal Input Voltage:	48 Vdc
Input Voltage Range:	40-56 Vdc
Input Current:	1.5A Typical, 1.8A Maximum at 48/40 Vdc Input
Brownout Voltage:	39 Vdc
Efficiency:	80 percent Typical
Switching Frequency:	550 kHz Typical
Circuit Type:	Forward Converter
Soft Start Circuit:	None
Input Fuse:	2.5~4A Recommended

IV OUTPUT SPECIFICATIONS:

MODEL	FPD 5-10-48	FPD 12-4.2-48	FPD 15-3.4-48	FPD 24-2.1-48
Output Voltage Nominal	5V	12V	15V	24V
Output Current Nominal	10A	4.2A	3.4A	2.1A
Output Power Maximum	50W	50.4W	51W	50.4W
Voltage Adjustment Range	4.5~5.5V	10.8~13.2V	13.5~16.5	21.6~26.4
Ripple, Maximum 0-50 Degrees C 10-100 % Load	150mV p-p	200mV p-p	200mV p-p	200mV p-p
Noise, DC to 50 MHz, Maximum 0-50 Degrees C 10-100% Load	250mV p-p	300mV p-p	300mV p-p	400mV p-p
Overcurrent Setting Square Wave Characteristic	10.3~ 13.5A	4.3~ 5.7A	3.5~4.5A	2.2~2.9A
Overvoltage Setting Shut Down Characteristic	5.5~ 6.9V	13.7~15.7V	17.0~19.0V	27.0~30.5

Source Effect	1% Typical — 2% Maximum (40-56V Input)
Load Effect	1% Typical — 2% Maximum (10-100% Load)
Temperature Effect	1% Typical — 2% Maximum (0-70 Degrees C)
Combined Effect	3% Typical — 6% Maximum (Source, Load, Temperature)
Time Effect	0.1% Typical — 2% Maximum (0.5~8 Hours at 25 Degrees C)
Recovery Characteristics 50 to 100% Load Change	Less Than \pm 4 Percent Excursion . Recovery to within 1 percent in less than 1ms (t_r , t_f of load change \geq 50 μ s at 48V Input (See Figure 4)

V GENERAL SPECIFICATIONS

SPECIFICATIONS	CONDITIONS
Temperature	Operating 0~70 Degrees C Storage - 40 ~ 105 Degrees C See Figures 7A and 7B
Humidity	Operating and Storage: 5 ~ 95 percent RH Wet bulb temperature < 35 Degrees C - No Condensing
Vibration	5 ~10Hz — 10mm Amplitude 10 ~55Hz — 5G Acceleration Non-Operating 1 Hour on each 3 axis
Shock	50 G 11 \pm 5 ms Pulse Duration Non-Operating, 1/2 Sine Pulse - 3 Shocks each axis
Withstand Voltage	Input-Output: 500 Vdc 1 minute Input-Ground: 500 Vdc 1 minute at 25 Degrees C 65 percent RH
Isolation Resistance	Output-Ground: >100M ohm, 500 Vdc
Dimensions	4.53 (115) x 2.3 (58) x 0.52 (13.3) See Outline Drawing, Figure 1
Weight	5.29 oz. (150 grams) Maximum
Cover Material	Plastic (UL94V-0) With Aluminum Base

VI REMOTE ON/OFF:

The following input signals applied to the RC terminal, control the output voltage (see Figure 3).

REMOTE CONTROL INPUT SIGNAL	POWER SUPPLY OUTPUT
TTL H Level 2.4 ~5.0V or Open	ON
TTL L Level 0 ~0.4V (Short Circuit Current 6 mA Maximum)	OFF

- NOTE:**
1. The RC terminal should be left open for normal operation.
 2. The rise and fall time of the input waveform to the RC terminal should be 2 msec maximum.
 3. The input circuit to the RC terminal should be designed with a photo coupler or relay (see Figure 3)
 4. The RC control circuit is on the primary side

VII REMOTE SENSE:

Two terminals are provided for remote error sensing (see Figure 2). Remote error sensing can compensate for load wire voltage drops of up to 0.25V per wire. The unit will **NOT** operate if there are no connections between the sense and output terminals. Connections must be made at the load or at the power supply terminals.

NOTE: If long sense wires are used it is recommended to place a 100 μ F (or more) electrolytic capacitor between the (+) and (+S) terminals and between the (-) and (-S) terminals to reduce possible oscillations of the output voltage (see Figure 5).

VIII OUTPUT VOLTAGE CONTROL

Terminals (RV1) and (RV2) are provided for the addition of fixed and trimmer resistors to permit control of the output voltage within the published specifications.

OUTPUT VOLTAGE	5V	12V	15V	24V
TRIMMER RESISTOR	10K	10K	10K	10K
FIXED RESISTOR	3.3K	5.6K	10K	27K

NOTE: For a fixed output voltage (see Figure 5) do not connect any resistors to the (RV1) and (RV2) terminals.

IX FOR SINGLE POWER SUPPLY OPERATION

For single power supply operation connect the Overcurrent Sense terminal (OC1) to the Common terminal (COM) (see Figure 9). In this configuration, the maximum output current and power is delivered to the load.

X PARALLEL OPERATION

Parallel operation is available to increase the output current. For parallel operation open the connection between the Common terminal (COM) and the Overcurrent Sense terminal (OC1)

(see Figure 10). The output power of each power supply will then be 80 percent of the maximum rated power. To get a balanced output current from each power supply (in parallel operation) the user must check to ensure that the difference in output voltages are limited to 1 percent of maximum for each power supply (see Figure 10)

XI SERIES OPERATION

Series operation is available to increase the output voltage. In series operation the output current is limited to the power supply with the lowest rated current (See Figure 11).

XII POLARITY OF INPUT POWER

The power supply has no built-in protection circuit against reverse connection of the (+) and (-) input terminals. The following circuit is recommended (with a diode and fuse on the input terminals) for protection against a reverse polarity connection (see Figure 12).

XIII CONNECTION OF OTHER TERMINALS

The (OC2) terminal and the GATE terminal must remain open. Do not connect any signals to these terminals. If signals are connected to these terminals the power supply will not work correctly and may be subject to electrical damage.

Non-isolated remote ON/OFF circuits are not recommended. Such circuits may short portions of the EMI input filter circuit, making it non-operational. Also, large currents may return to the minus input terminal (-) via the Common terminal (COM), resulting in damage to the PC Board Foil.

XIV AVOID EXTRA OSCILLATIONS

If the input or output cables to the power supply are too long, the output voltage waveforms may show extra oscillations attributable to line inductance or noise.

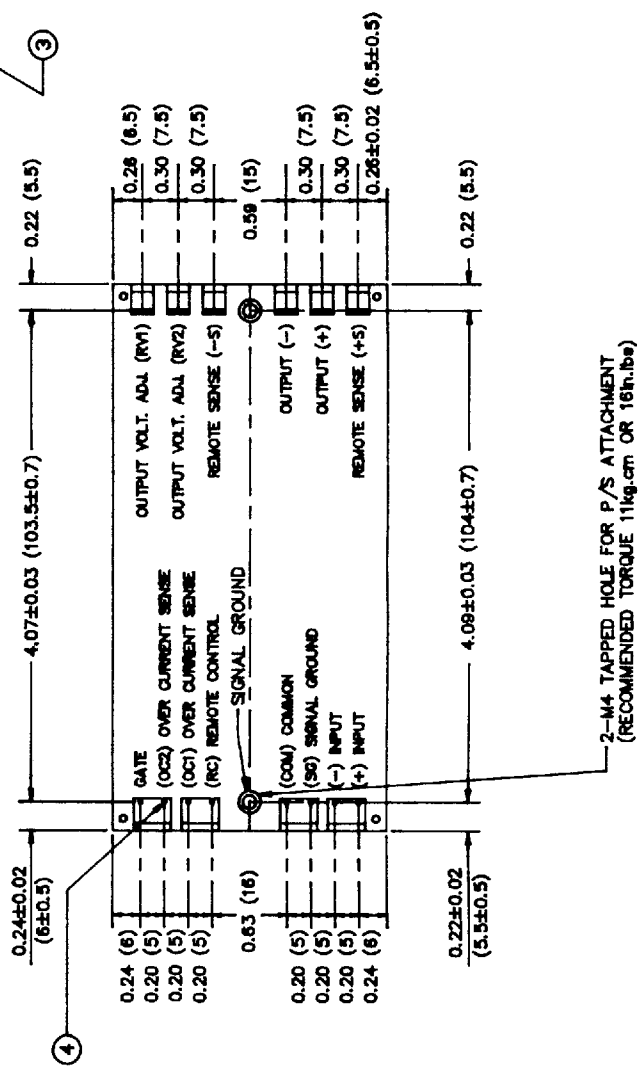
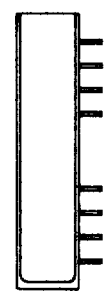
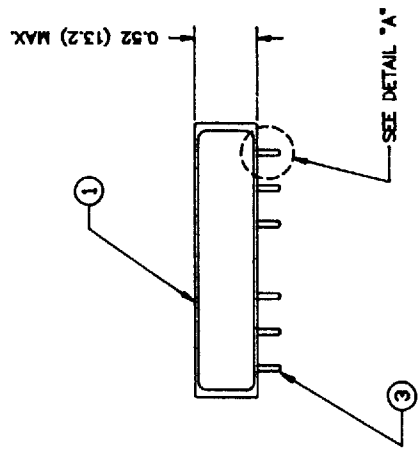
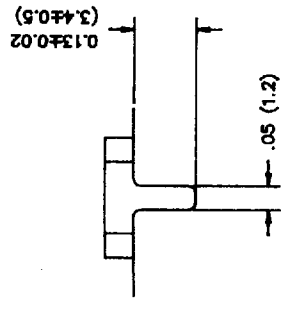
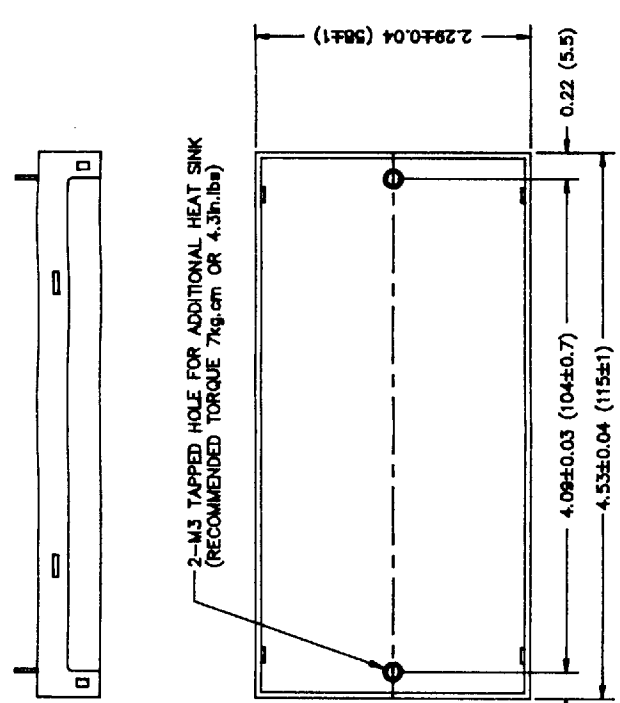
In that case, placing a 100–470 μ F capacitor between the input terminals or between the output terminals (or at both sets of terminals) will reduce the oscillations.

XV HEAT SINKS

Kepeco recommends the use of a heat sink with the FPD 50 Watt Power Supply. The performance of the Power Supply is improved with a heat sink (see Figures 7A and 7B). Two heat sinks are available, depending on how the FPD 50 Watt Power Supply is mounted (see Figures 8A and 8B).

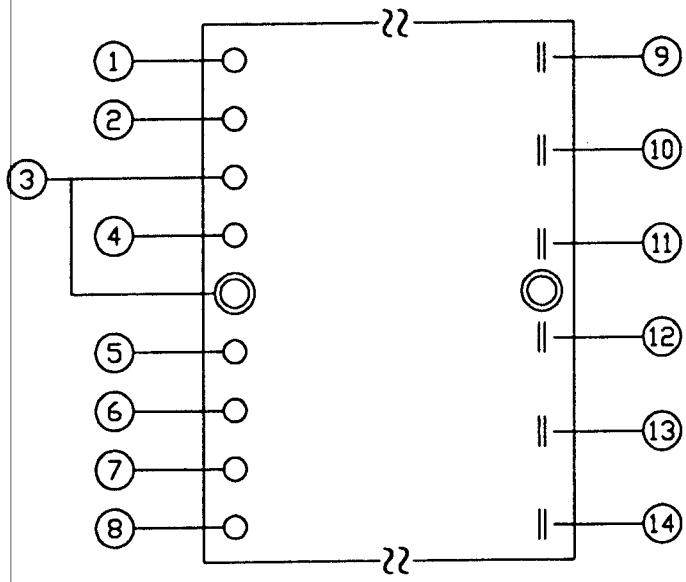
NO.	DESCRIPTION	DATE	APPROVED BY

NO.	ITEM	QTY.	MATERIAL DESCRIPTION
4	TERMINAL	8	COPPER ALLOY, 0.03(0.7) DIA., SOLDER PLATED
3	TERMINAL	6	COPPER ALLOY, 0.01(0.3) THICK, SOLDER PLATED
2	COVER	1	HEAT-RESISTANT RESIN
1	HEAT SINK	1	ALUMINUM



- NOTES:
- THIS DRAWING USED FOR THE FOLLOWING MODELS:
FPD 50-12, -24, -48; FPD 100-24, -48
 - DIMENSIONS IN PARENTHESIS ARE IN MILLIMETERS, ALL OTHERS ARE IN INCHES.
 - MAXIMUM PENETRATION FOR SCREWS FOR M3 AND M4 MOUNTING HOLES NOT TO BE MORE THAN 0.24in (6mm) FROM CASE SURFACE.
 - ±0.01in. (±0.3mm) TOLERANCE UNLESS OTHERWISE SPECIFIED.
 - KEPCO SUPPLIES THE FOLLOWING HARDWARE FOR FPD METRIC INSERTS:
TWO METRIC M3 SCREWS WITH CAPTIVE FLAT AND LOCK WASHERS P/N 501-0062.
TWO METRIC M4 SCREWS WITH CAPTIVE FLAT AND LOCK WASHERS P/N 501-0035.
TWO NYLON WASHERS (FOR INSULATION) P/N 103-0144.

		OUTLINE DRAWING	
TOLERANCES UNLESS OTHERWISE SPECIFIED: FRACTIONS ± DECIMALS 3 PLACES ± ANGLES 1/2°	DRAWN BY PAD	DATE 5-3-90	TITLE
CHECKED BY REC	DATE 9-25-90	DESIGNED BY REC	DATE 9-25-90
MATERIAL FRESH	APPROVED BY K.K.	DATE 9-25-90	MODEL NO. SEE NOTE #1
PART NO.	SHEET	SCALE	REV.
CF04183		CF04183	



ALUMINUM PLATE SIDE (TOP VIEW)

- ① INPUT (+)
- ② INPUT (-)
- ③ SIGNAL GROUND (SG)
- ④ COMMON (COM)
- ⑤ REMOTE CONTROL (RC)
- ⑥ OVER-CURRENT SENSE (OC1)
- ⑦ OVER-CURRENT SENSE (OC2)
- ⑧ GATE
- ⑨ REMOTE SENSE (+S)
- ⑩ OUTPUT (+)
- ⑪ OUTPUT (-)
- ⑫ REMOTE SENSE (-S)
- ⑬ OUTPUT VOLTAGE ADJUST (RV2)
- ⑭ OUTPUT VOLTAGE ADJUST (RV1)

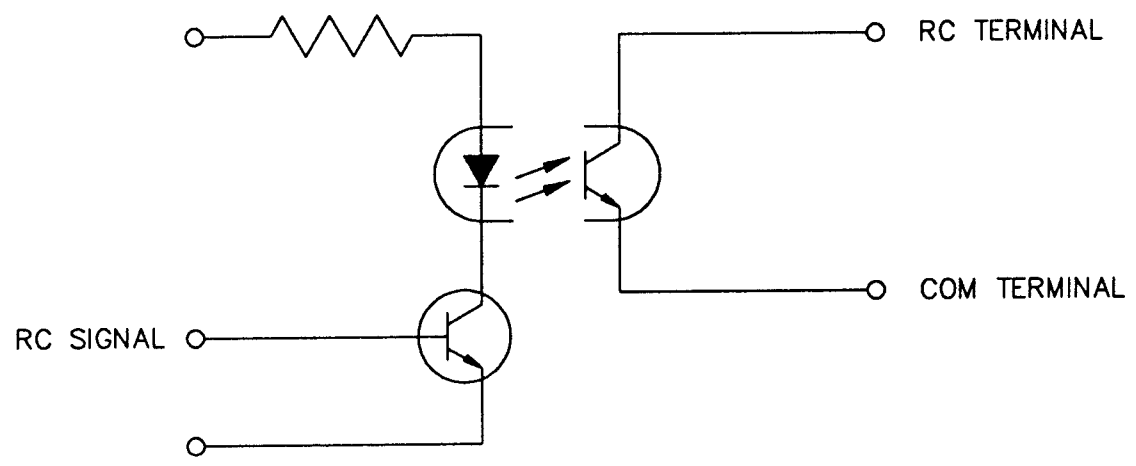


FIGURE 2 (ABOVE) TERMINAL LOCATIONS OF THE FPD 50-48 DC TO DC CONVERTER, ALUMINUM PLATE SIDE (TOP VIEW)

FIGURE 3 (BELOW) RECOMMENDED REMOTE ON/OFF INPUT CIRCUIT TO THE RC TERMINAL OF THE FPD 50-48 POWER SUPPLY

OUTPUT CHARACTERISTIC

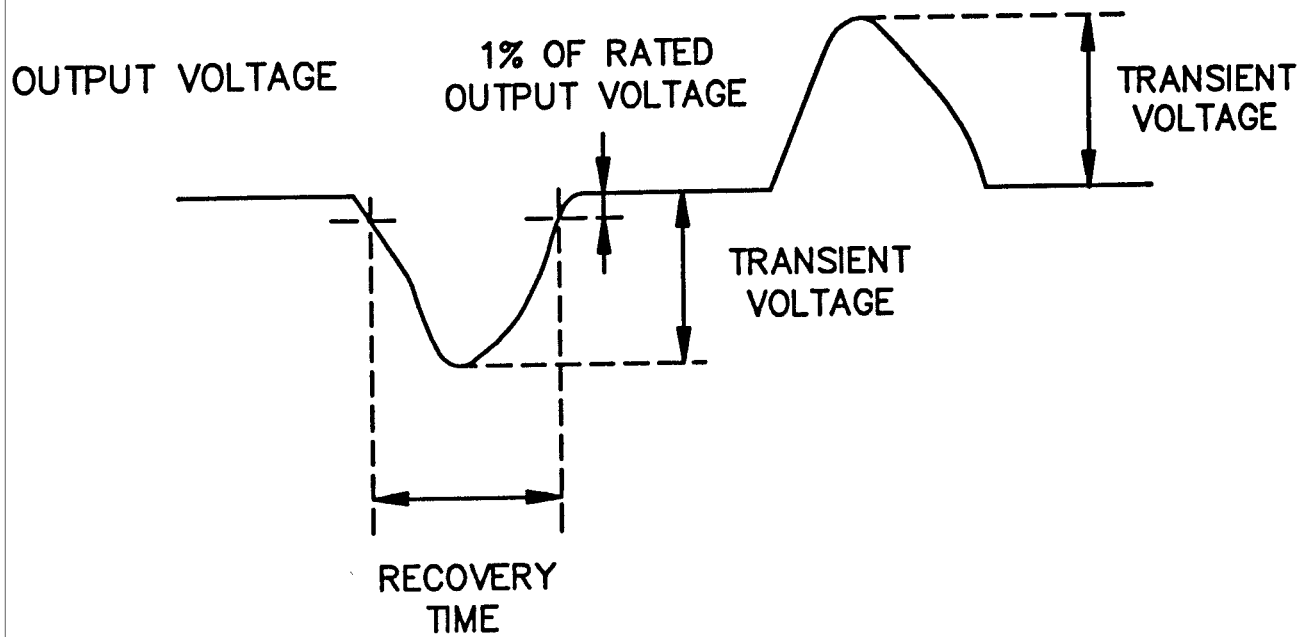
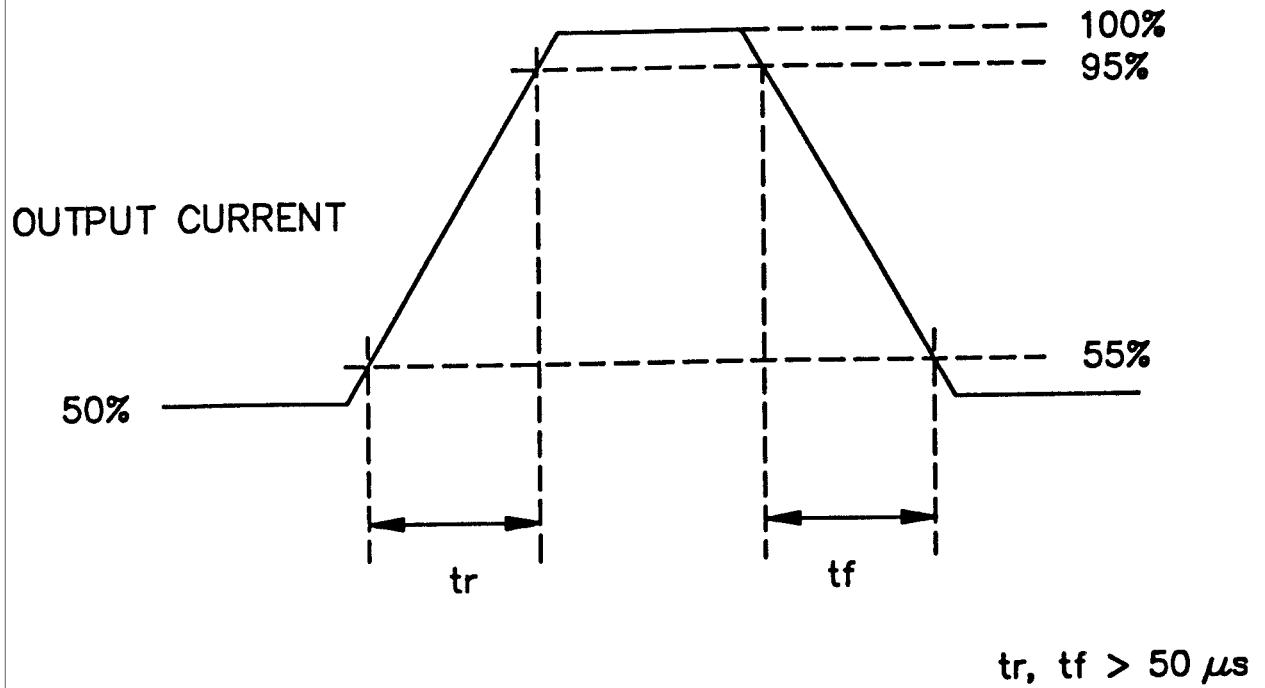


FIGURE 4 THE RECOVERY CHARACTERISTICS OF THE FPD 50-48 POWER SUPPLY

NOTE: To further reduce the transient voltage place a capacitor between the (+) and (-) output terminals of the power supply, preferably close to the load.

(OUTPUT VOLTAGE FIXED)

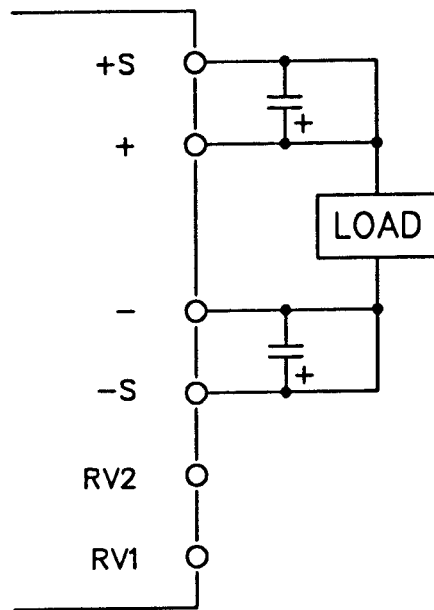


FIGURE 5 THE FPD 50-48 DC TO DC CONVERTER WITH REMOTE SENSING AND FIXED OUTPUT VOLTAGE

(OUTPUT VOLTAGE ADJUSTABLE)

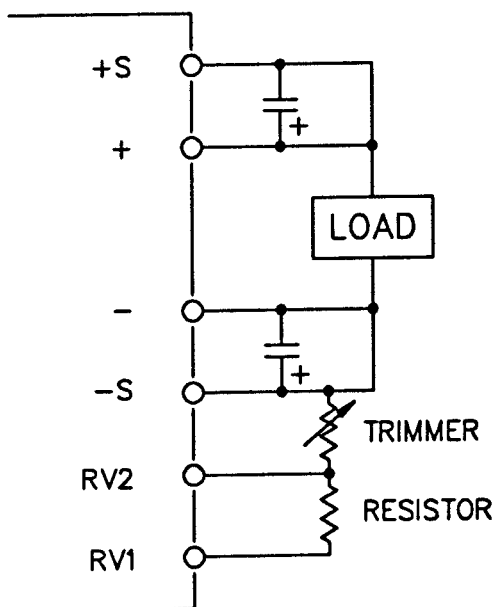


FIGURE 6 THE FPD 50-48 DC TO DC CONVERTER WITH ADJUSTABLE OUTPUT VOLTAGE

WITH KEPCO RECOMMENDED HEAT SINK P/N 536-0069

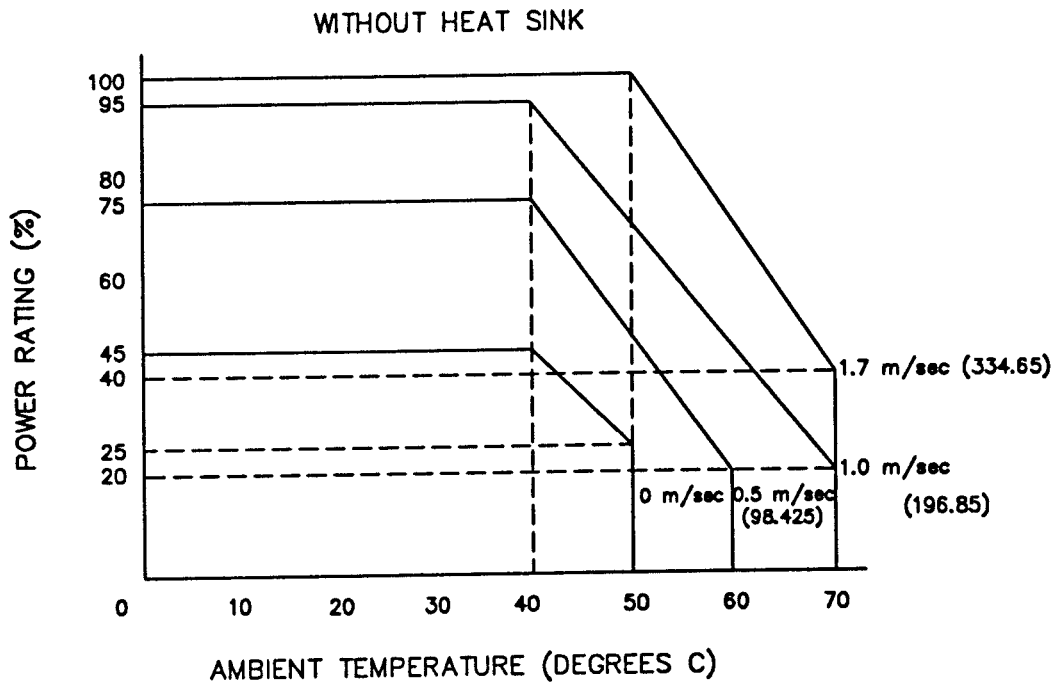
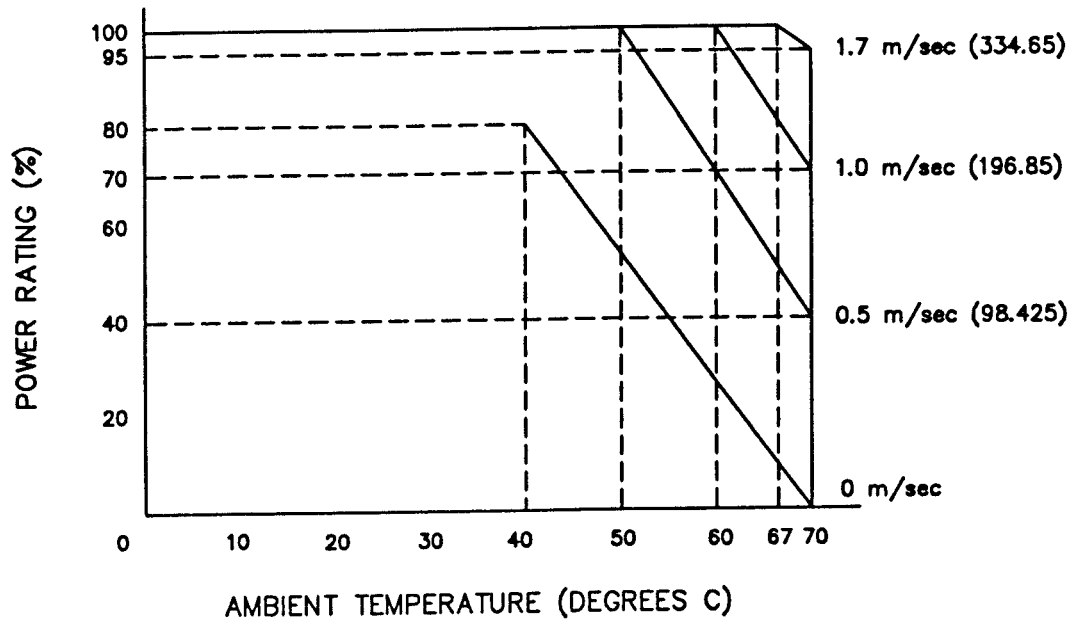


FIGURE 7A (ABOVE) PERCENT OUTPUT POWER RATING VERSUS AMBIENT TEMPERATURE DEGREES C FOR THE FPD 50-48 DC TO DC CONVERTER WITH HEAT SINK

NOTE: The maximum temperature on the power supply base plate (aluminum plate) is 85°C. Dimensions in parenthesis are in linear ft/min.

FIGURE 7B (BELOW) PERCENT OUTPUT POWER RATING VERSUS AMBIENT TEMPERATURE DEGREES C FOR FPD 50-48 DC TO DC CONVERTER WITHOUT HEAT SINK

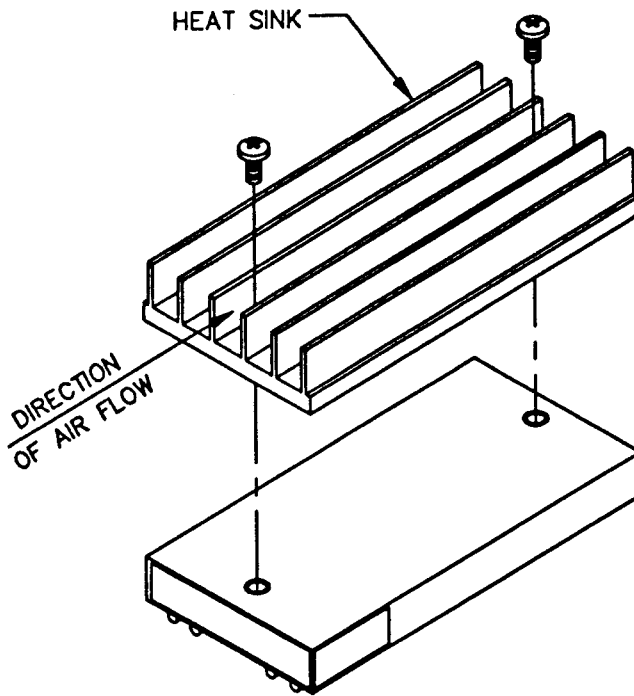


FIGURE 8A HEAT SINK FOR VERTICAL MOUNTING OF THE FPD 50-48 DC TO DC CONVERTER

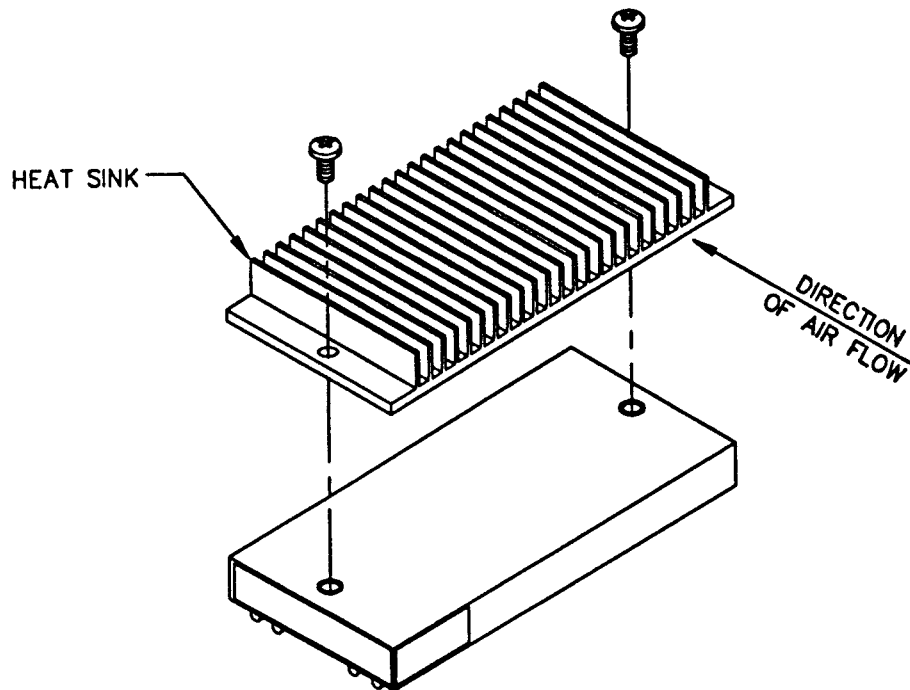


FIGURE 8B HEAT SINK FOR HORIZONTAL MOUNTING OF THE FPD 50-48 DC TO DC CONVERTER

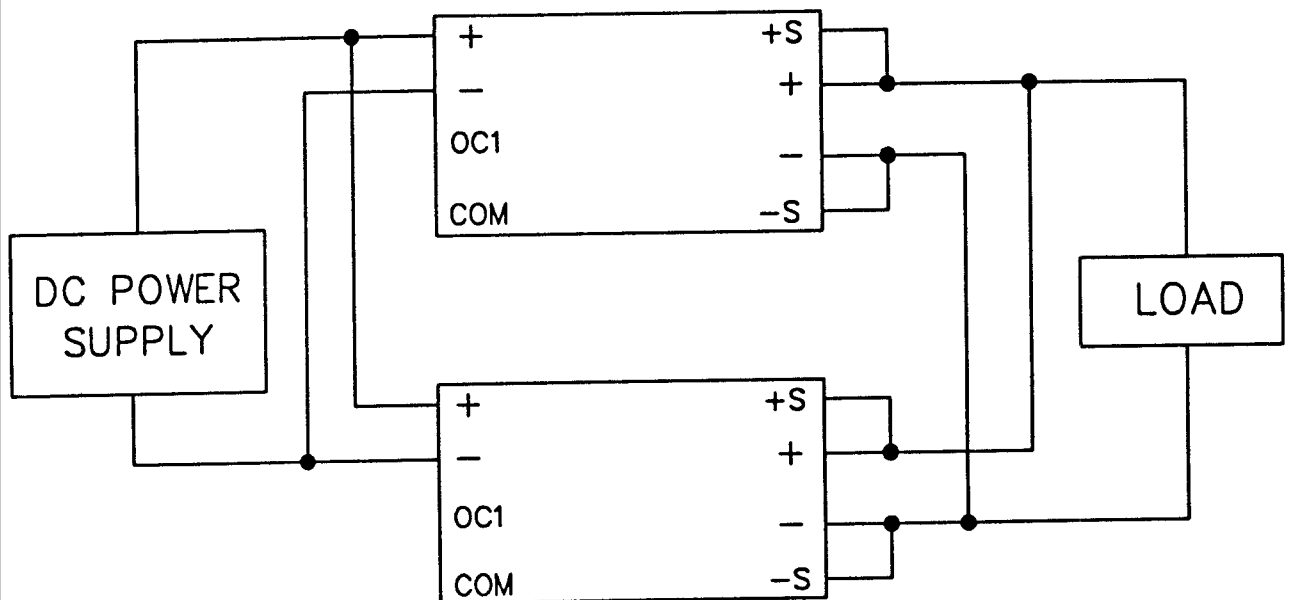
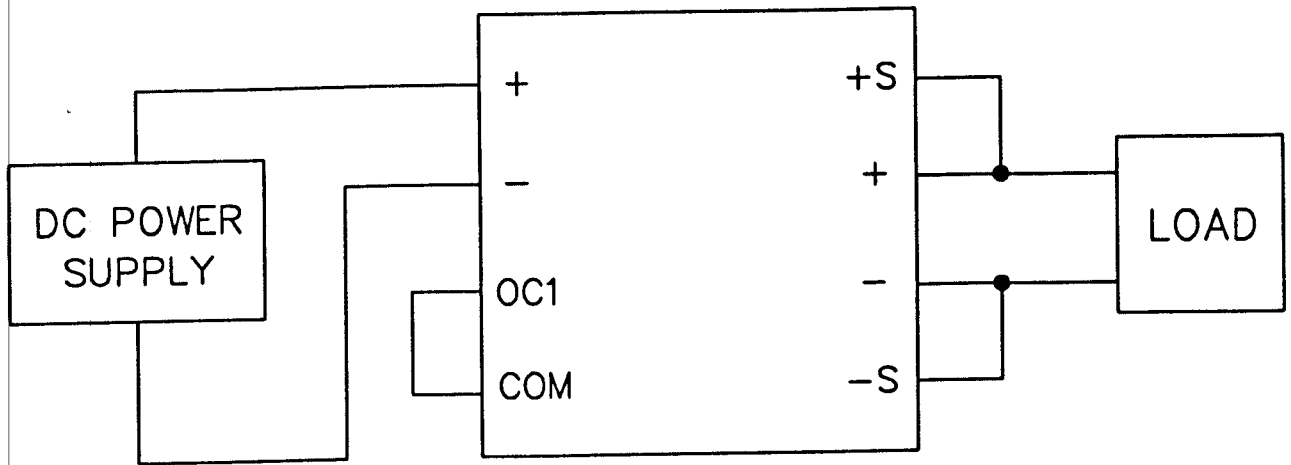


FIGURE 9 (Above) CONNECTION FOR SINGLE FPD 50-48 POWER SUPPLY OPERATION

FIGURE 10 (Below) CONNECTION FOR PARALLEL OPERATION OF THE FPD 50-48 POWER SUPPLY

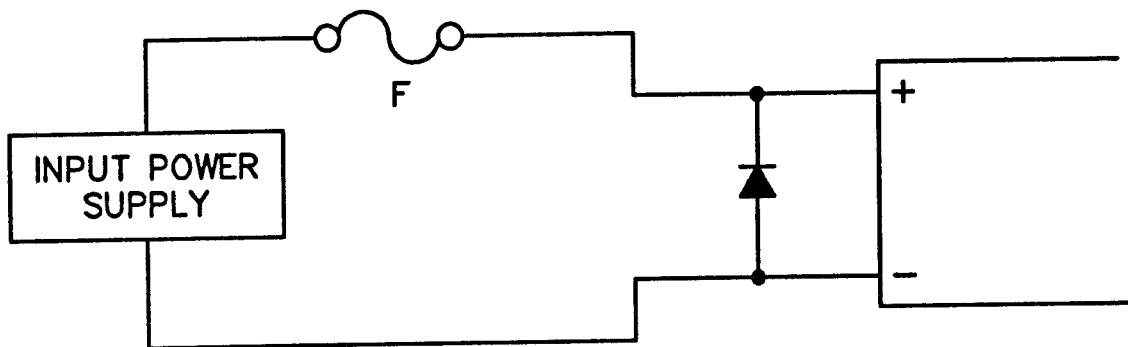
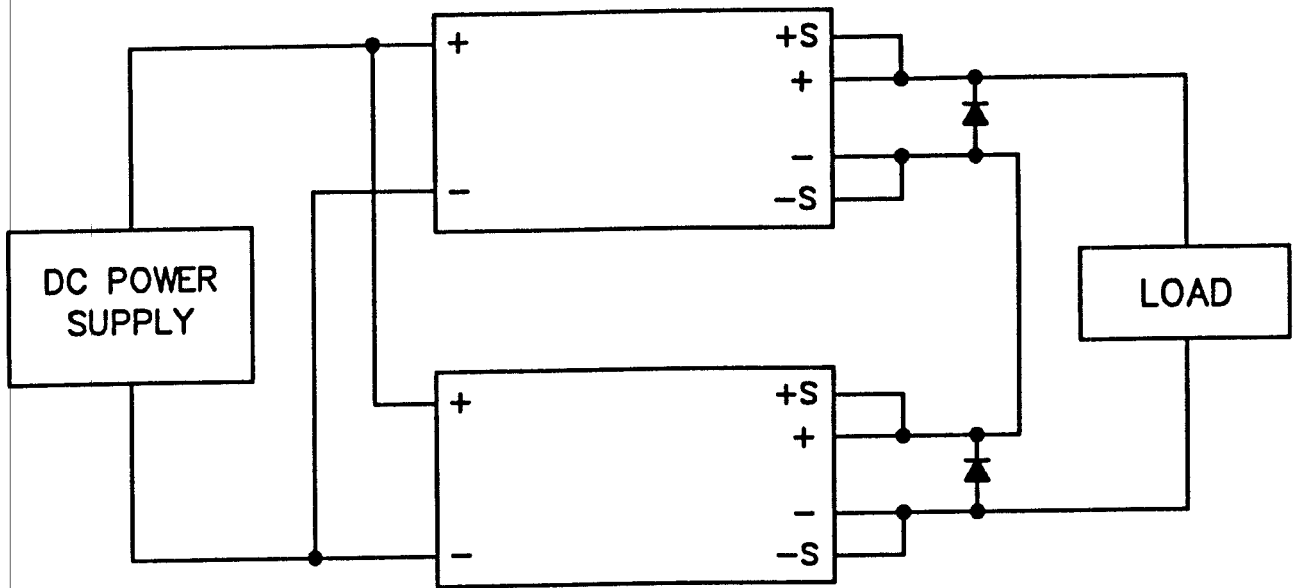


FIGURE 11 (ABOVE) CONNECTION FOR SERIES OPERATION OF THE FPD 50-48 POWER SUPPLY

FIGURE 12 (BELOW) PROTECTION CIRCUIT FOR A REVERSE POLARITY CONNECTION TO THE FPD 50-48 POWER SUPPLY